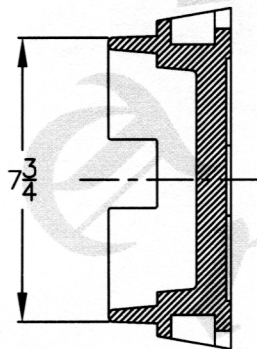
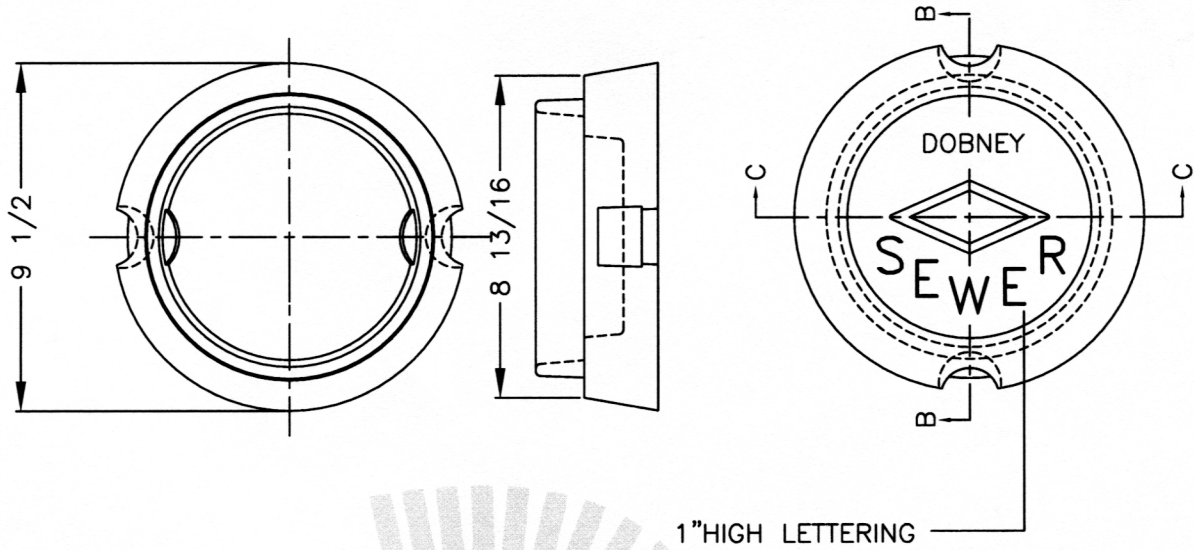
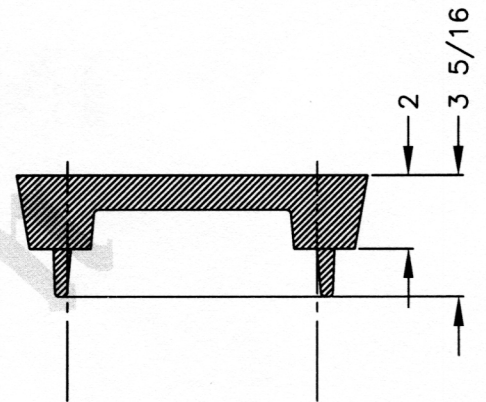




Please note that drawings are approximate and not to be used for engineering purposes – please contact us for specific dimensions.



SECTION B-B



SECTION C-C

RATING-HWY LOAD

VALVE BOX LID

NO.
MR-8L

TROJAN INDUSTRIES INC.
CALGARY • EDMONTON, ALBERTA