

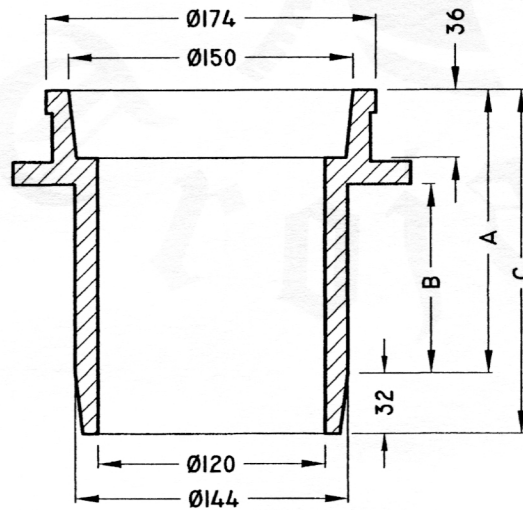
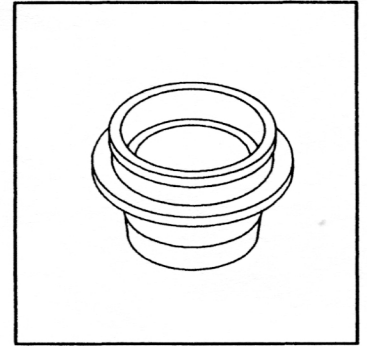
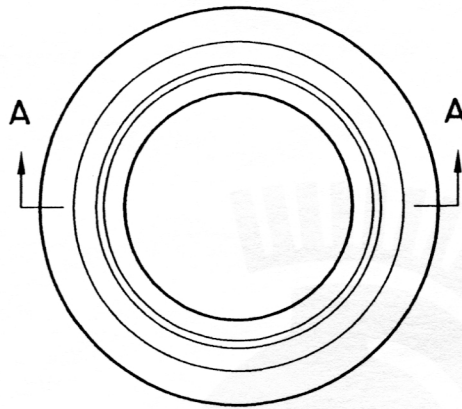


Please note that drawings are approximate and not to be used for engineering purposes – please contact us for specific dimensions.

VALVE BOX ADAPTORS

CSA-VB

PLAN



SECTION A-A

ADAPTOR	A	B	C
NO.1	50	0	82
NO.2	75	25	107
NO.3	100	50	132
NO.4	150	100	182

ISO 9001-2000 CERTIFIED

RATED FOR HS-20 LIVE LOAD

MEASUREMENTS IN MILLIMETERS

TROJAN INDUSTRIES INC.
CALGARY • EDMONTON, ALBERTA