

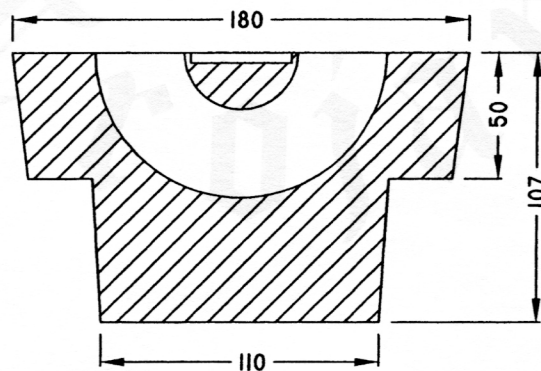
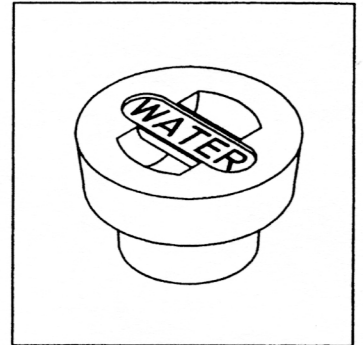
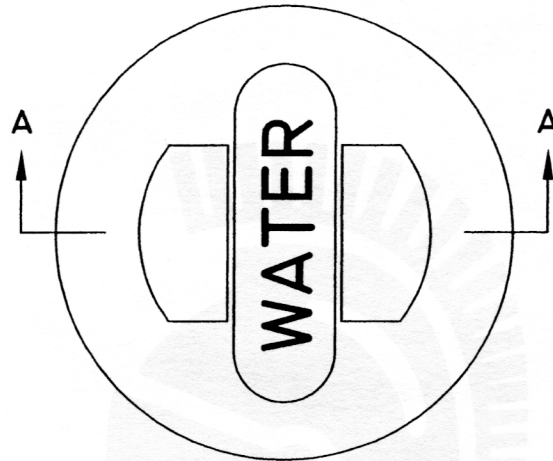


Please note that drawings are approximate and not to be used for engineering purposes – please contact us for specific dimensions.

TYPE A AND B VALVE BOX LID

A-VB

PLAN



SECTION A-A

TROJAN INDUSTRIES INC.
CALGARY • EDMONTON, ALBERTA