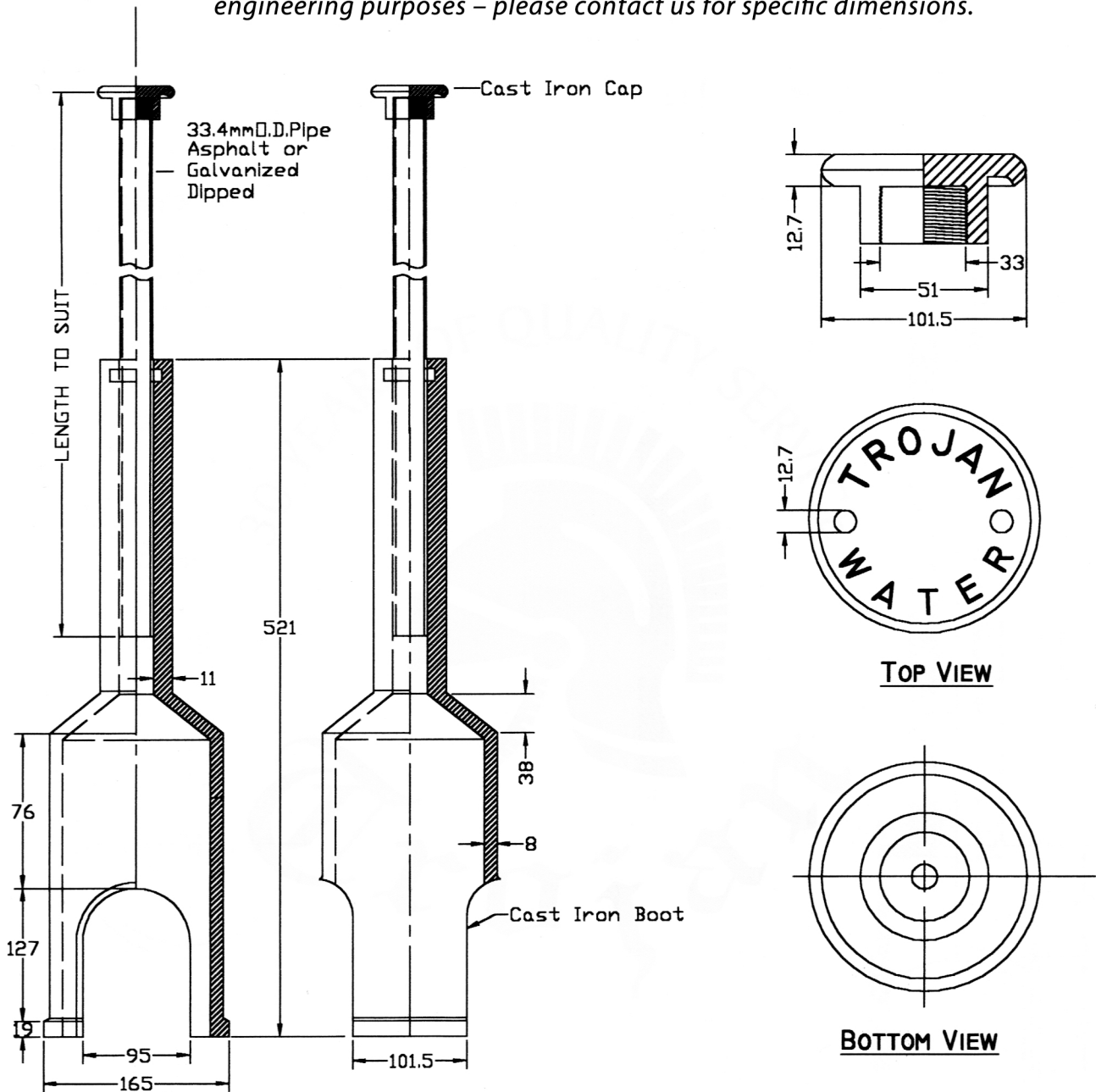




TWO HOLE LID BOTTOM ADJUSTMENT SERVICE BOX

NYSB2

Please note that drawings are approximate and not to be used for engineering purposes – please contact us for specific dimensions.



Material:
33.4mm O.D. Casing ASTM A-500 Type 1HRR Steel
Cast Iron Cap & Boot-ASTM-48 Class 20 Grey Iron
Brass Insert -CDA 60-40 Yellow Brass

LARGE BOOT FOR 40mm & 50mm SERVICE

TROJAN INDUSTRIES INC.