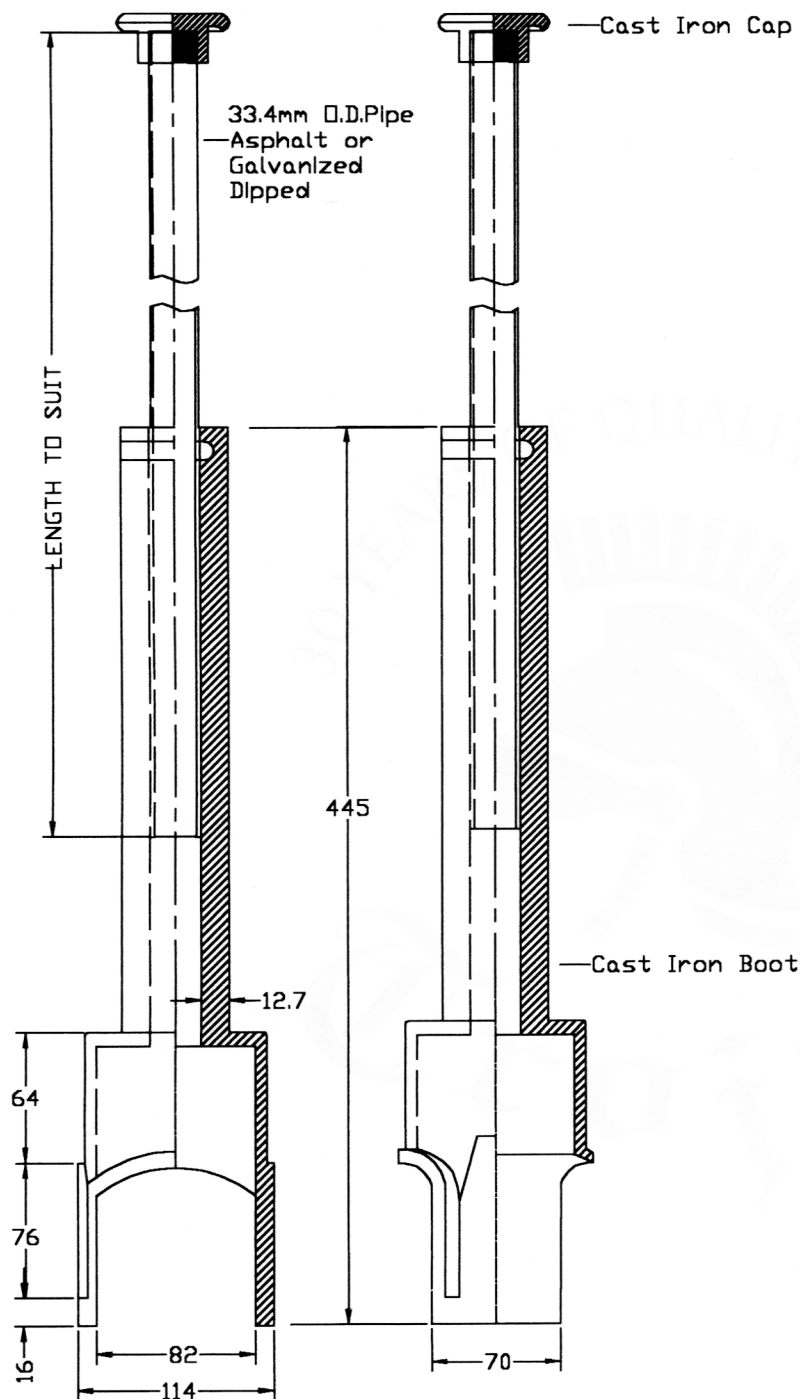


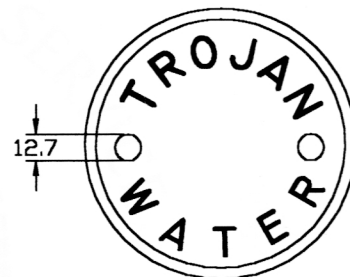
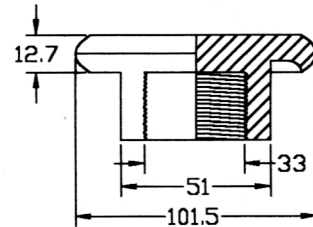


TWO HOLE LID BOTTOM ADJUSTMENT SERVICE BOX

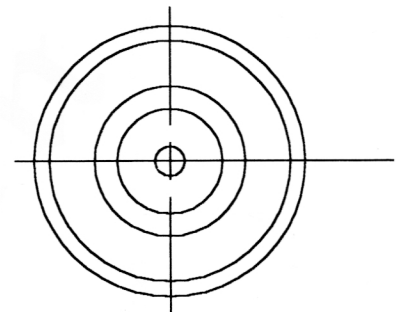
NYSB1



Please note that drawings are approximate and not to be used for engineering purposes – please contact us for specific dimensions.



TOP VIEW



BOTTOM VIEW

Material:
33.4mm O.D. Casing ASTM A-500 Type 1HRR Steel
Cast Iron Cap & Boot-ASTM-48 Class 20 Grey Iron

SMALL BOOT FOR 20mm & 25mm SERVICE

TROJAN INDUSTRIES INC.