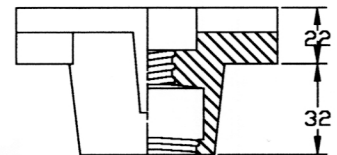
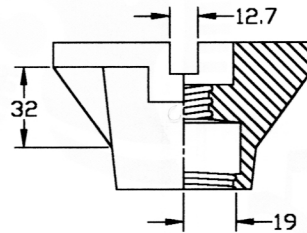
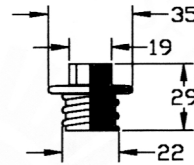
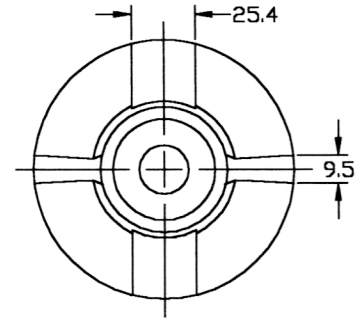
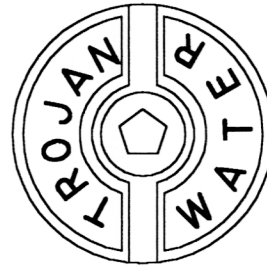
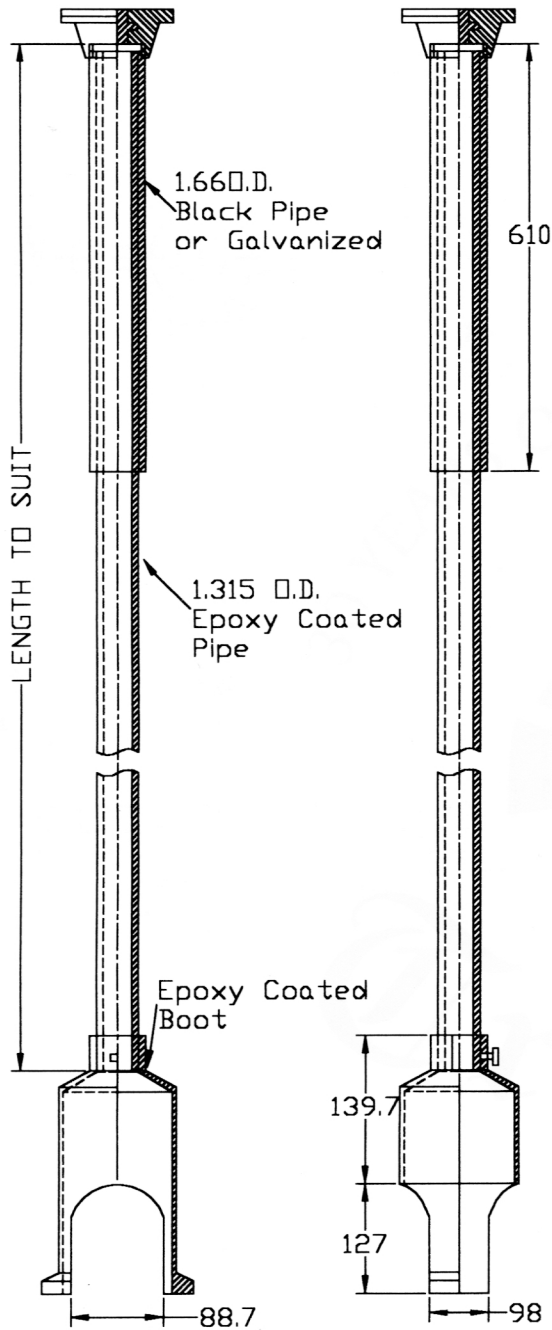




# STANDARD TOP ADJUSTMENT EPOXY COATED SERVICE BOX

CSB2

Please note that drawings are approximate and not to be used for engineering purposes – please contact us for specific dimensions.



Material:  
1.66  $\square$ .D. Upper section 1.315  $\square$ .D. Casing-ASTM A-500 Type 1 HRR Steel  
Cast Iron Cap and Boot- ASTM A-48 Class 20 Grey Iron  
1.315  $\square$ .D. Casing Epoxy Coated  
Brass Pentagon Plug - CDA 60-40 Yellow Brass

## LARGE BOOT FOR 40mm & 50mm SERVICE

TROJAN INDUSTRIES INC.