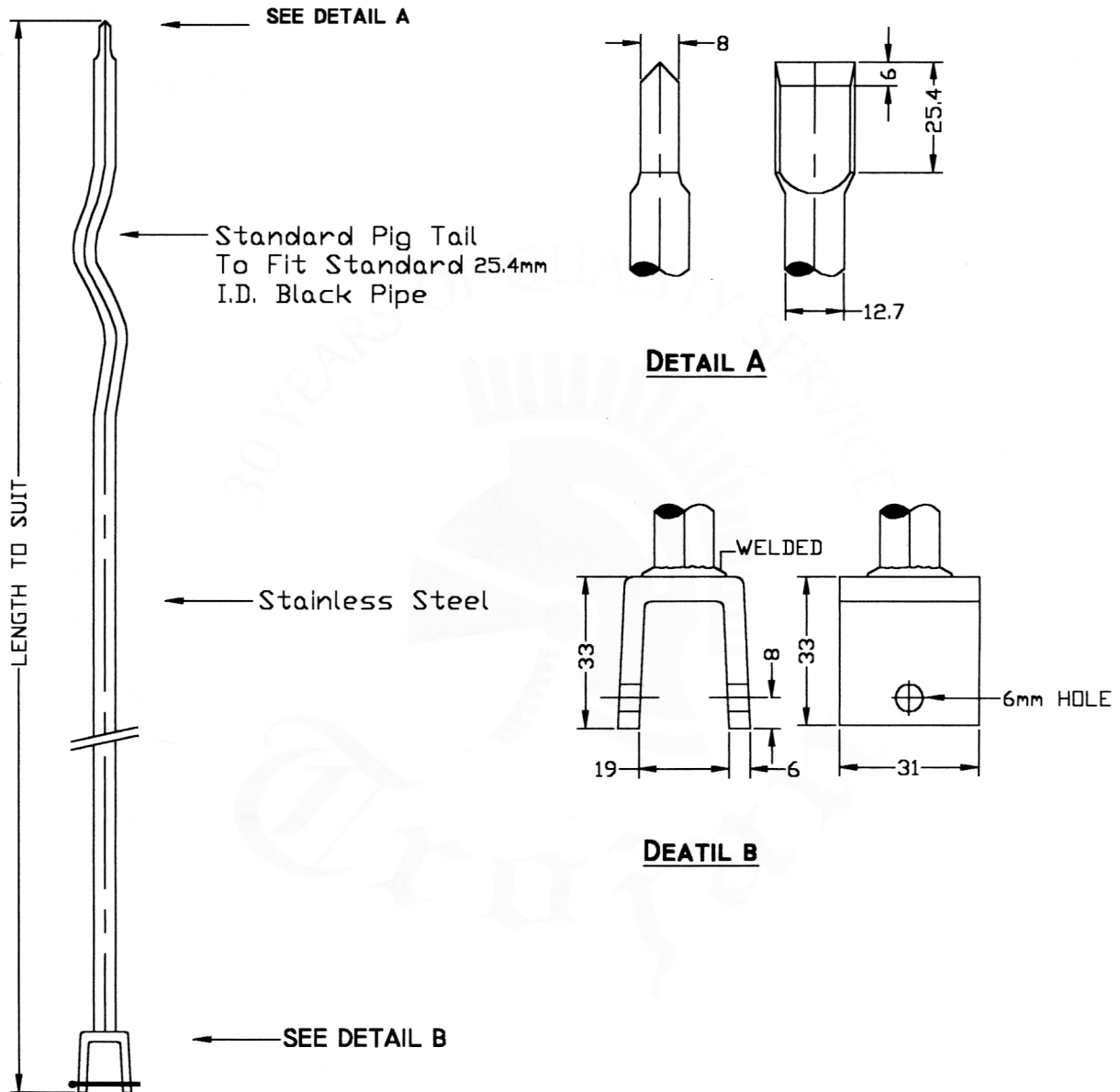




12.7mm STAINLESS STEEL SERVICE BOX ROD

SSRWC

Please note that drawings are approximate and not to be used for engineering purposes – please contact us for specific dimensions.



Material:
DIN 50.049/2.3 Type 304
HRR Stainless Steel

c/w WELDED STAINLESS CLEVIS

TROJAN INDUSTRIES INC.