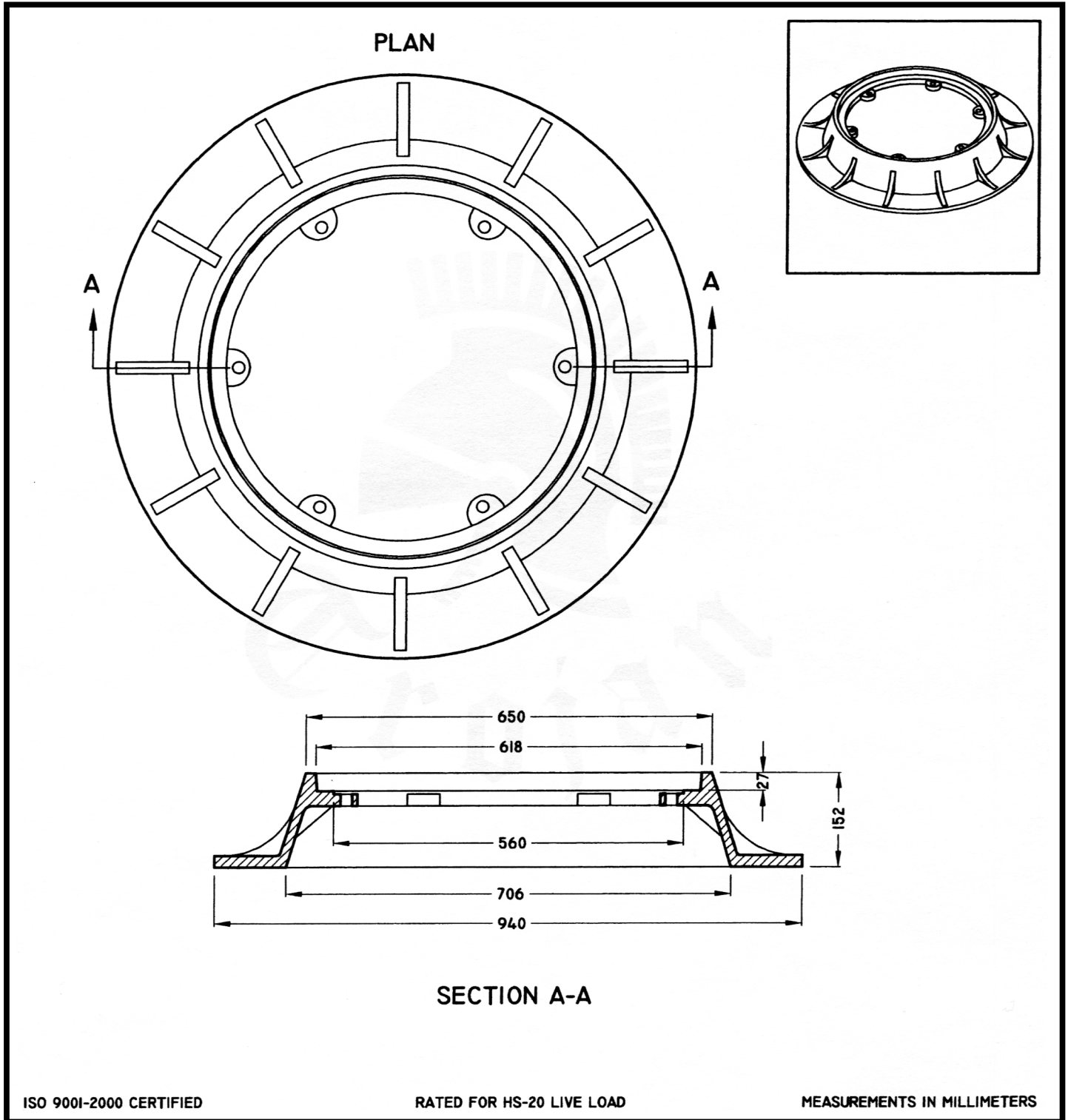




Please note that drawings are approximate and not to be used for engineering purposes – please contact us for specific dimensions.

## FRAME FOR BOLT DOWN COVER

TF-50 FBD



**TROJAN INDUSTRIES INC.**  
CALGARY • EDMONTON, ALBERTA