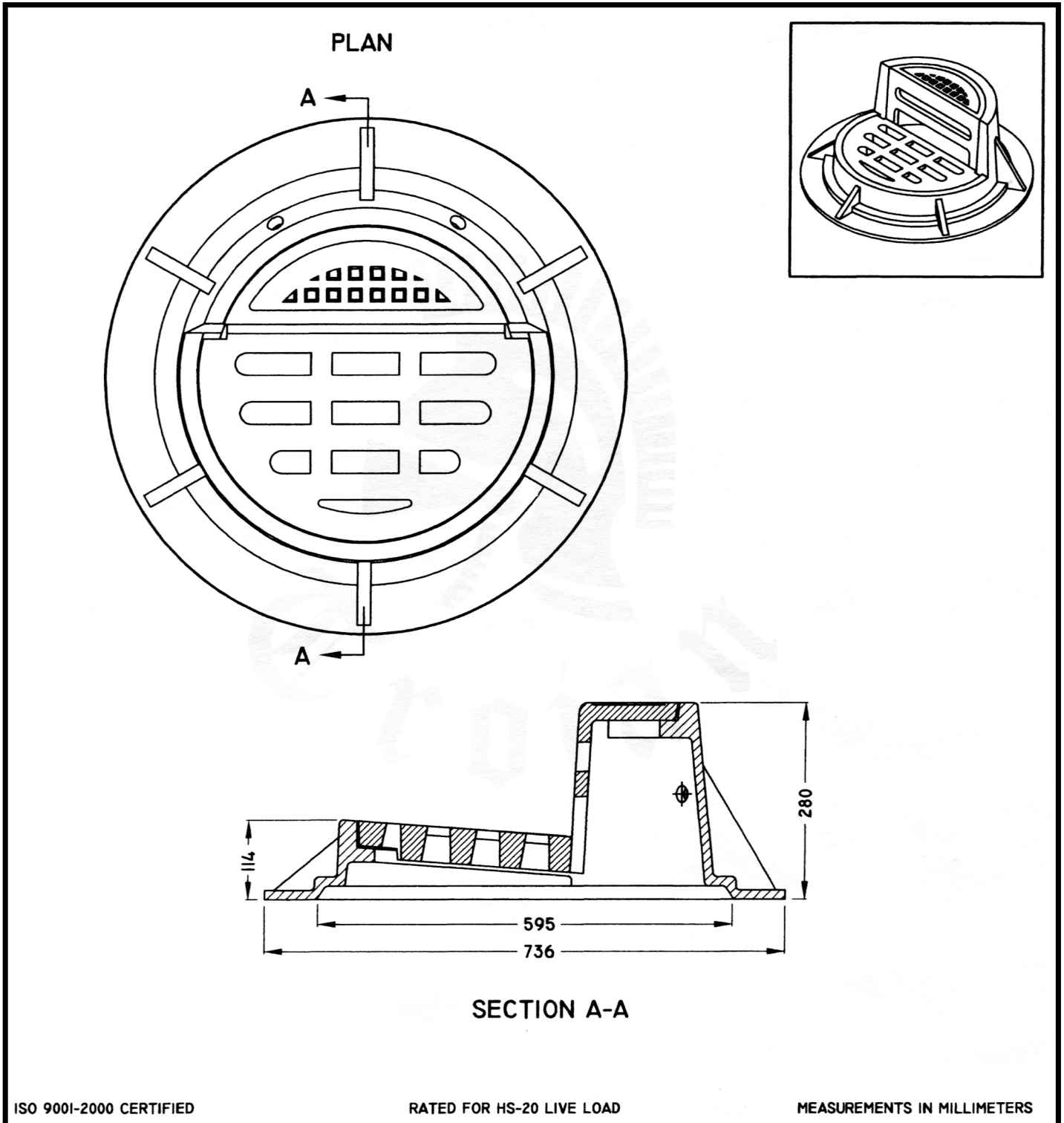




Please note that drawings are approximate and not to be used for engineering purposes – please contact us for specific dimensions.

FRAME AND 1 PIECE BIKE PROOF GRATE

TF-36 BP



ISO 9001-2000 CERTIFIED

RATED FOR HS-20 LIVE LOAD

MEASUREMENTS IN MILLIMETERS

TROJAN INDUSTRIES INC.
CALGARY • EDMONTON, ALBERTA