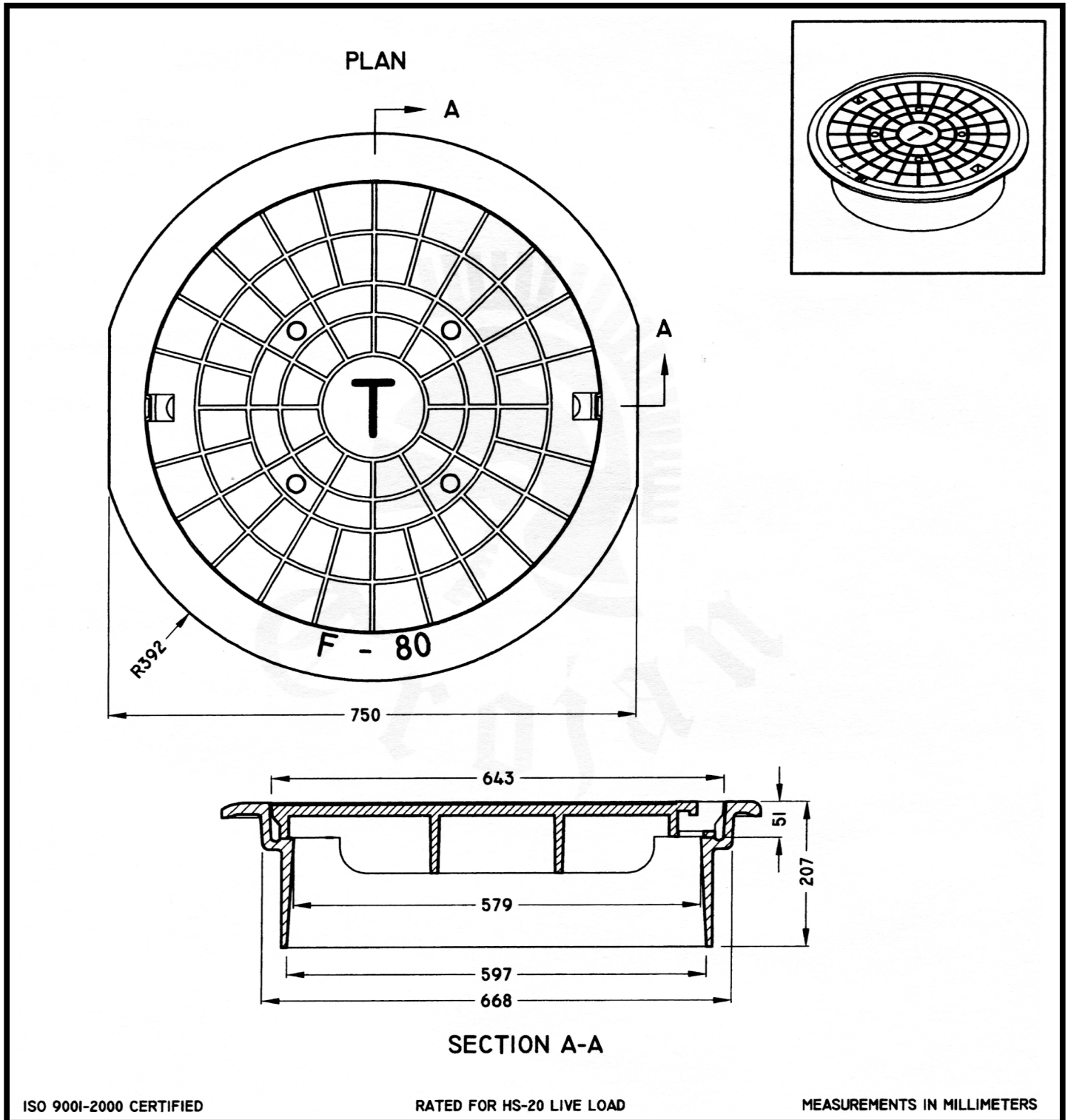




Please note that drawings are approximate and not to be used for engineering purposes – please contact us for specific dimensions.

## FLOATING FRAME AND COVER

TF-80



ISO 9001-2000 CERTIFIED

RATED FOR HS-20 LIVE LOAD

MEASUREMENTS IN MILLIMETERS

**TROJAN INDUSTRIES INC.**  
CALGARY • EDMONTON, ALBERTA