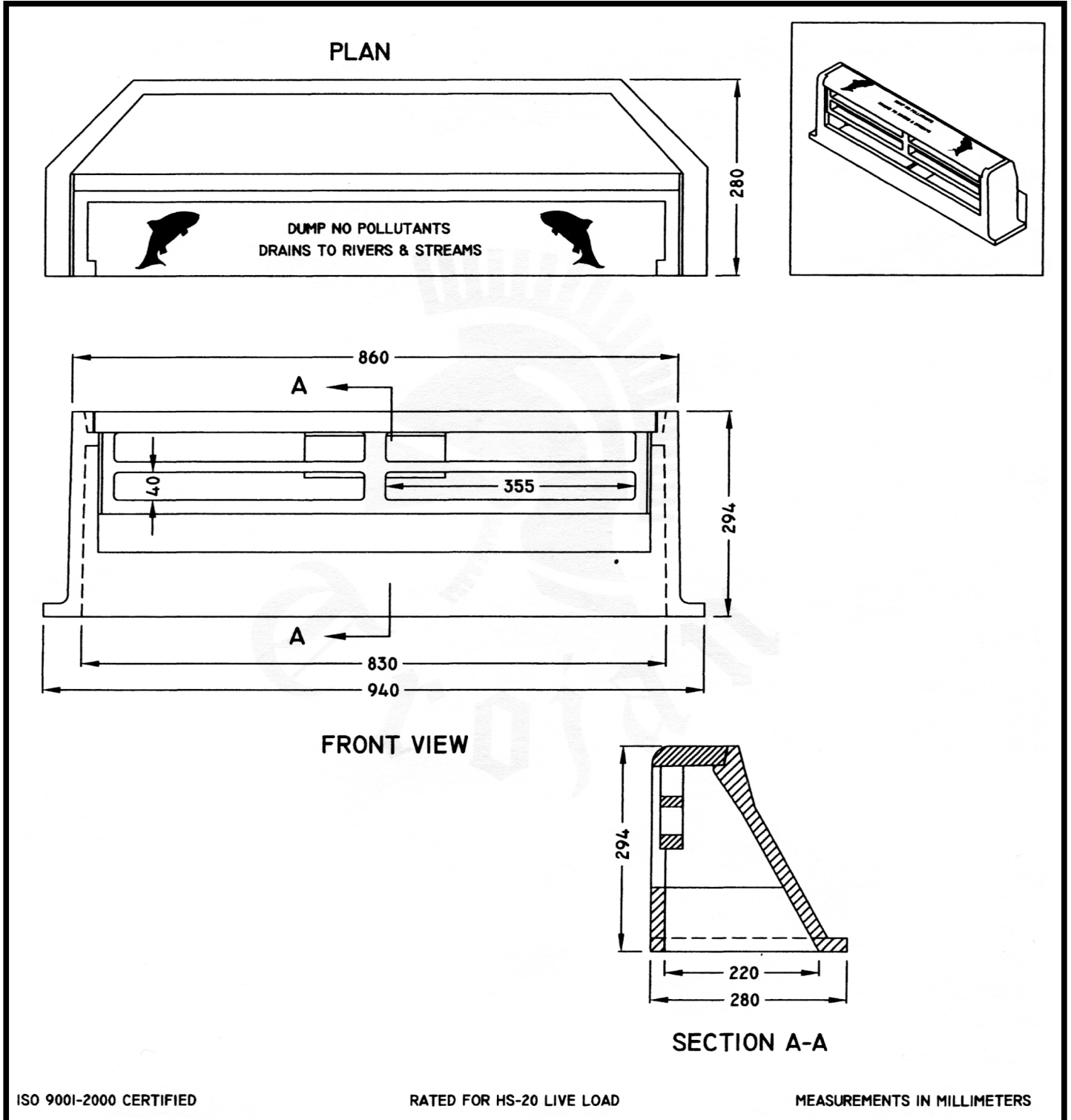




Please note that drawings are approximate and not to be used for engineering purposes – please contact us for specific dimensions.

STANDARD 2 PIECE SIDE INLET

K-1A



TROJAN INDUSTRIES INC.
CALGARY • EDMONTON, ALBERTA