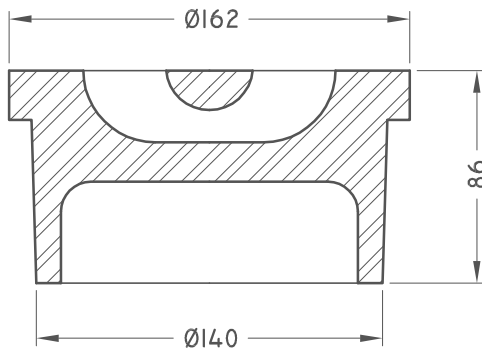
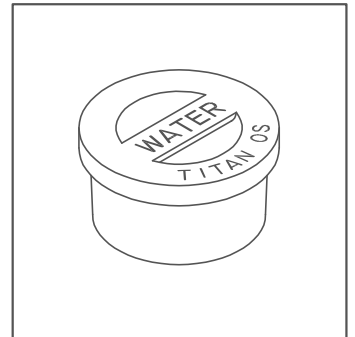


COS VALVE BOX LID (OS)

LID-OS



PLAN



SECTION

ISO 9001-2000 CERTIFIED

MEASUREMENTS IN MILLIMETERS



1350 FIFE STREET
WINNIPEG, MB
R2X 2N7
(P) 204.633.5535
(F) 204.694.2210