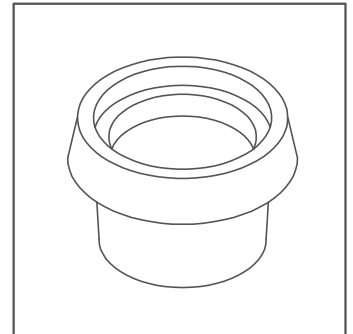
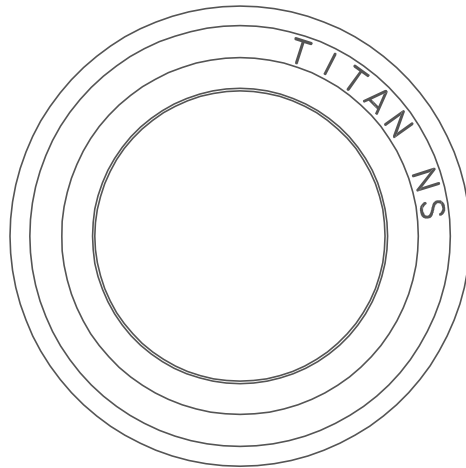


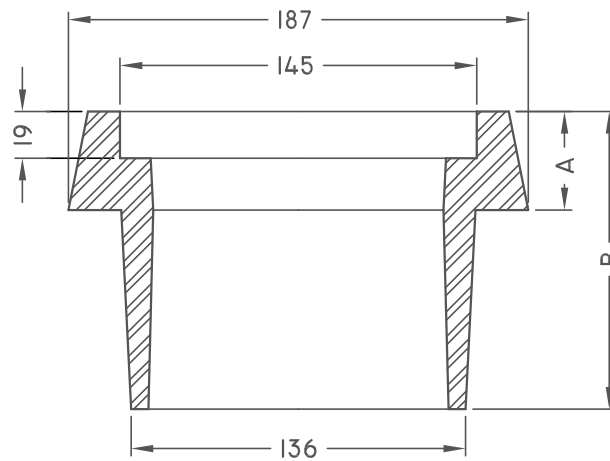
# COS NS VALVE BOX RISERS 1"- 4"

VBR NS

PLAN



DIMENSION	RISER			
	1"	2"	3"	4"
A	33	40	40	40
B	51	70	95	121



SECTION

ISO 9001-2000 CERTIFIED

MEASUREMENTS IN MILLIMETERS



1350 FIFE STREET  
 WINNIPEG, MB  
 R2X 2N7  
 (P) 204.633.5535  
 (F) 204.694.2210