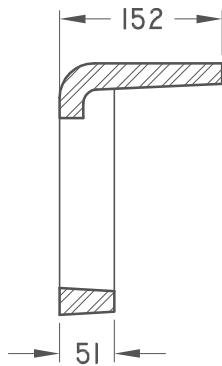
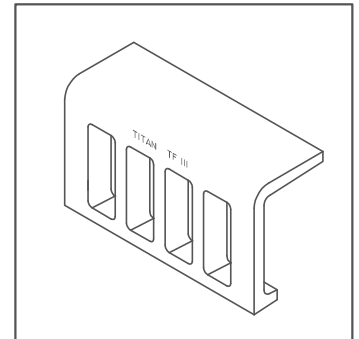
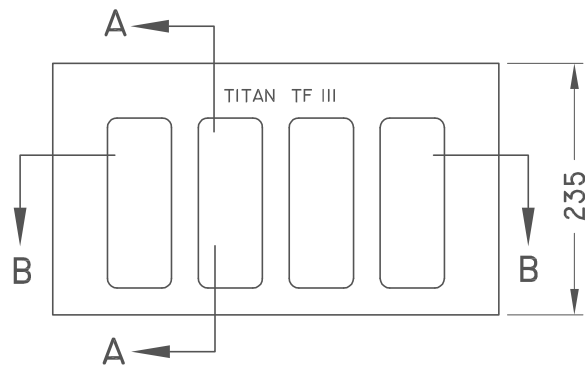


CURB INLET

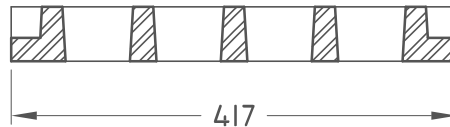
TF-111 CI



SECTION A-A



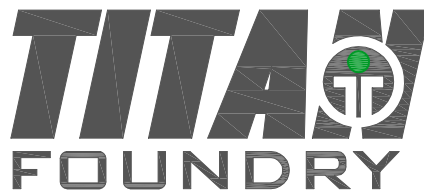
FRONT VIEW



SECTION B-B

ISO 9001-2000 CERTIFIED

MEASUREMENTS IN MILLIMETERS



1350 FIFE STREET
WINNIPEG, MB
R2X 2N7
(P) 204.633.5535
(F) 204.694.2210