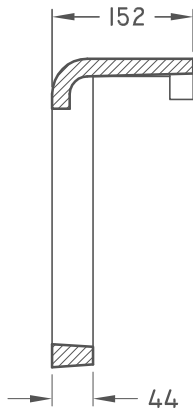
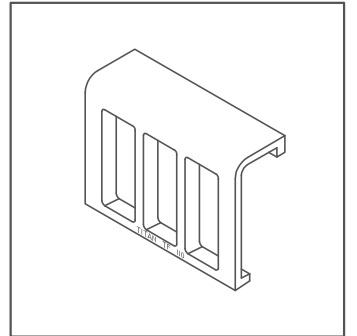
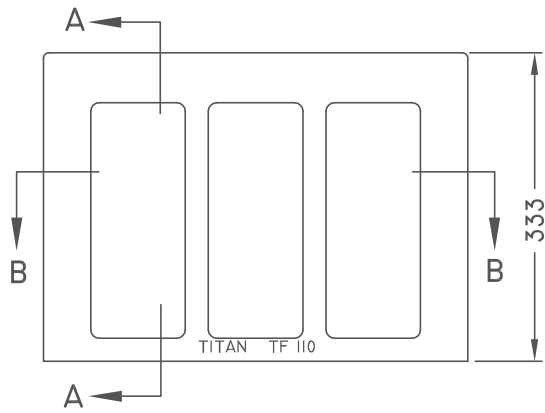


# CURB INLET

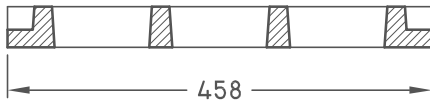
TF-110 CI



SECTION A-A



FRONT VIEW



SECTION B-B

ISO 9001-2000 CERTIFIED

MEASUREMENTS IN MILLIMETERS



1350 FIFE STREET  
WINNIPEG, MB  
R2X 2N7  
(P) 204.633.5535  
(F) 204.694.2210