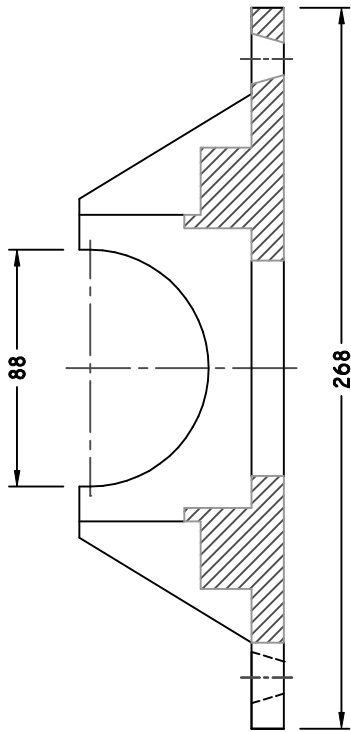
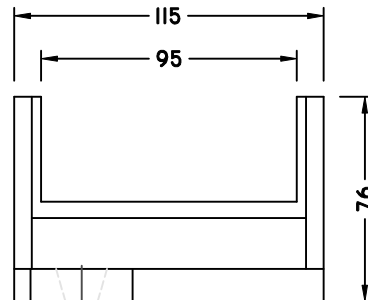
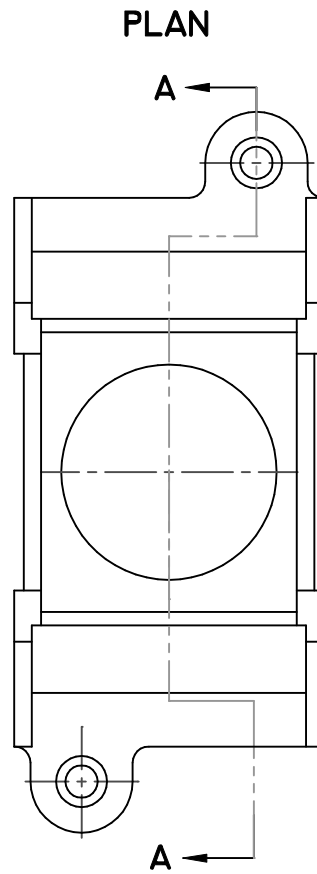


# CURB CHAIR FOR 50MM VALVE

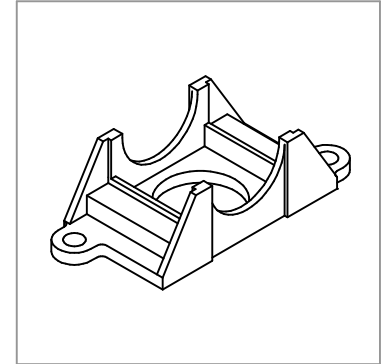
CE CHAIR 50



SECTION A-A



END VIEW



MEASUREMENTS IN MILLIMETERS