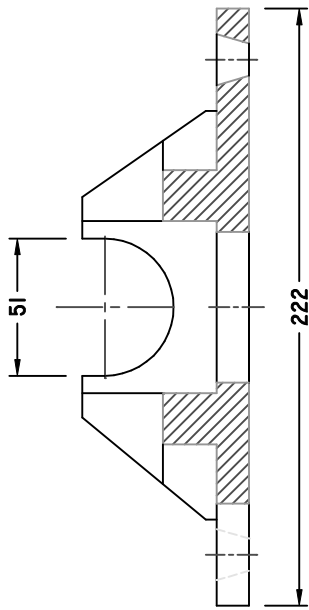


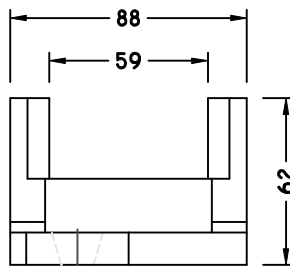
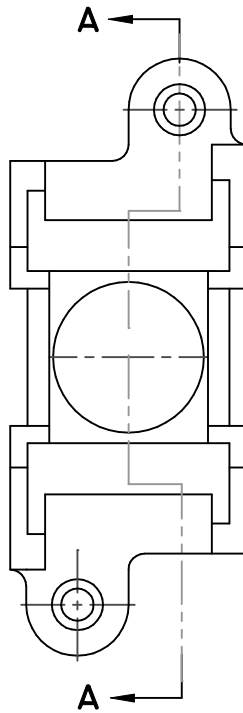
# CURB CHAIR FOR 25MM VALVE

CE CHAIR 25

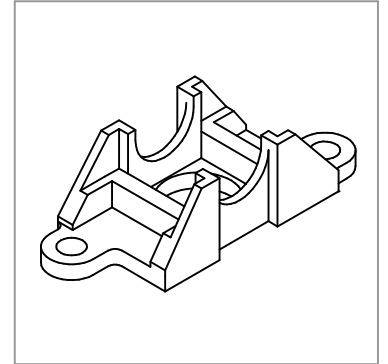


SECTION A-A

PLAN



END VIEW



MEASUREMENTS IN MILLIMETERS