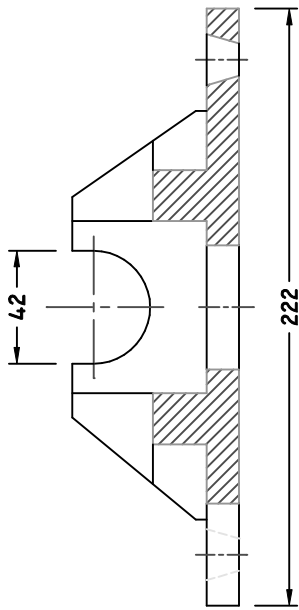
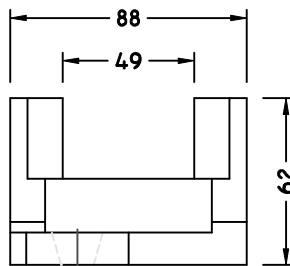
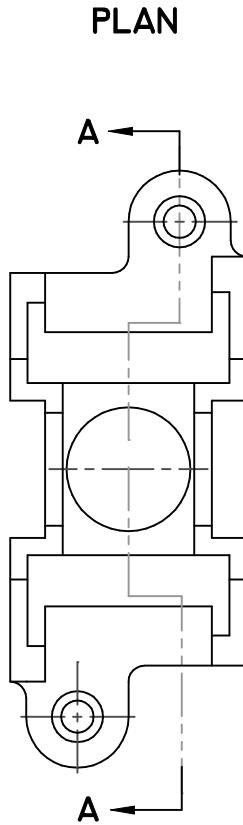


CURB CHAIR FOR 20MM VALVE

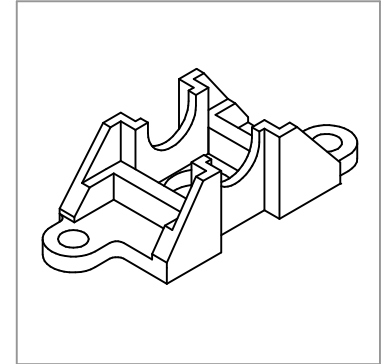
CE CHAIR 20



SECTION A-A



END VIEW



MEASUREMENTS IN MILLIMETERS