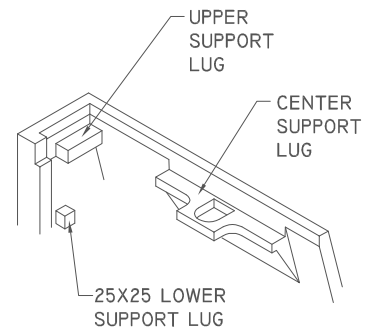
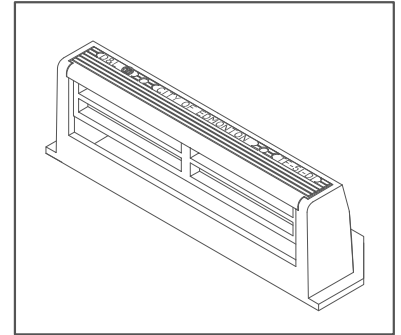
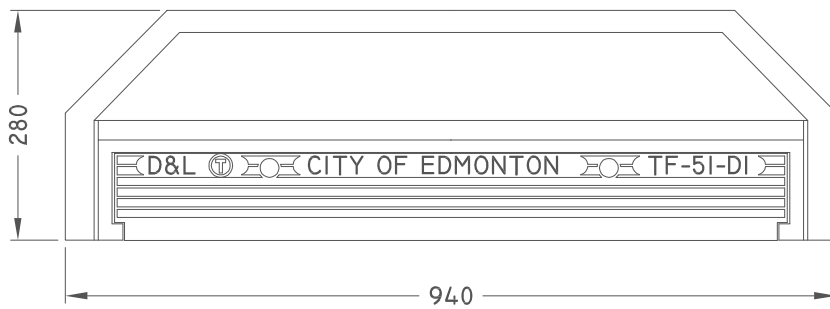




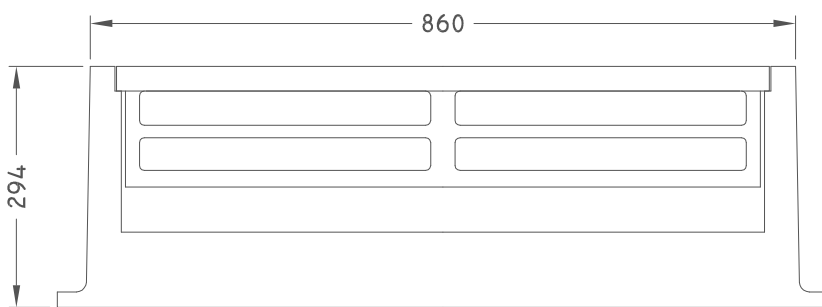
2 PIECE SIDE INLET

TF-51

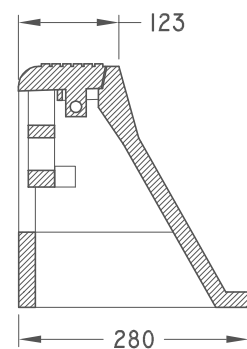
PLAN



ISO VIEW



FRONT VIEW



SECTION

ISO 9001-2000 CERTIFIED

RATED FOR HS-20 LIVE LOAD

MEASUREMENTS IN MILLIMETERS

TROJAN INDUSTRIES INC.

CALGARY • EDMONTON, ALBERTA